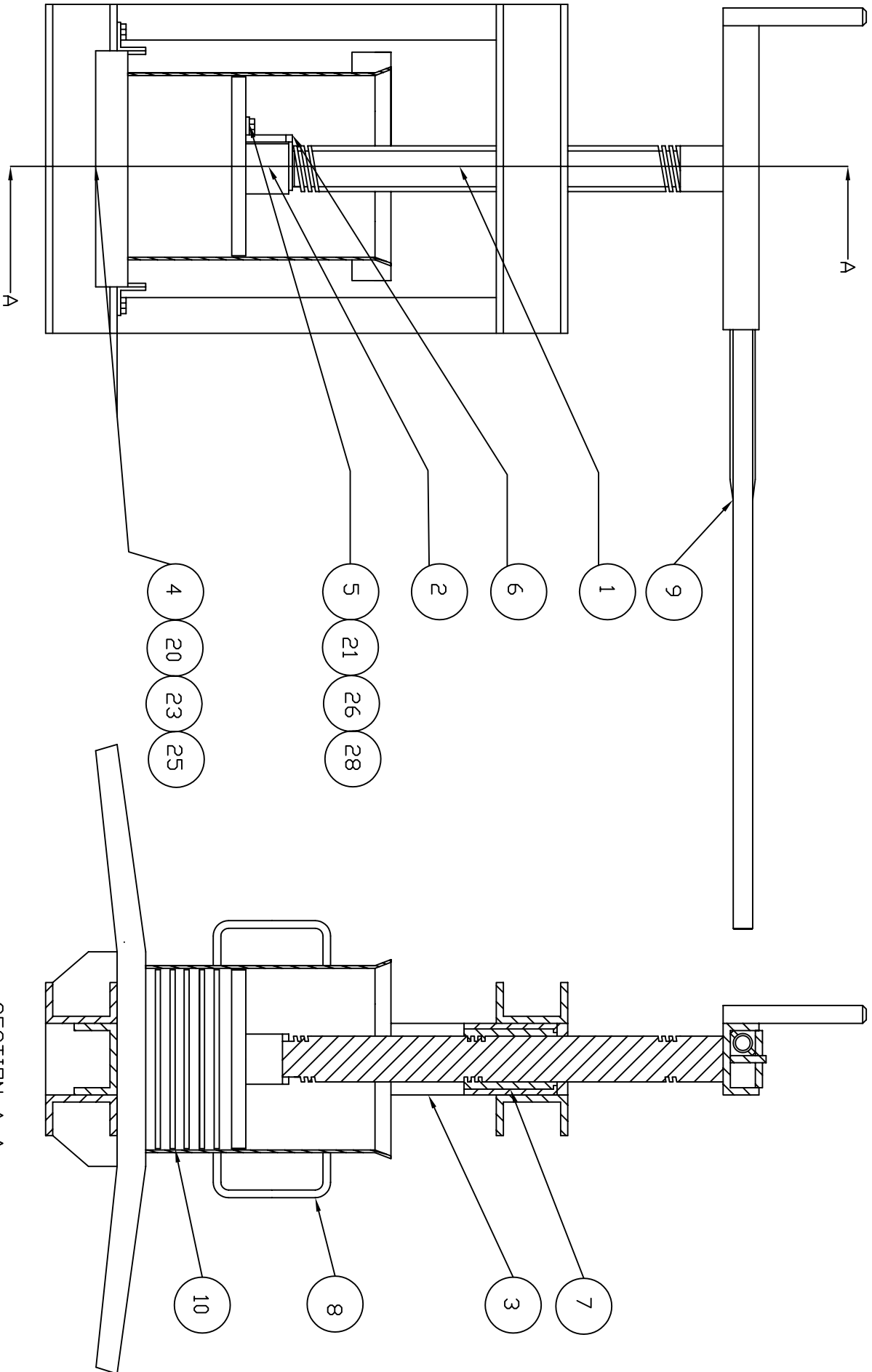


DD NDT SCALE

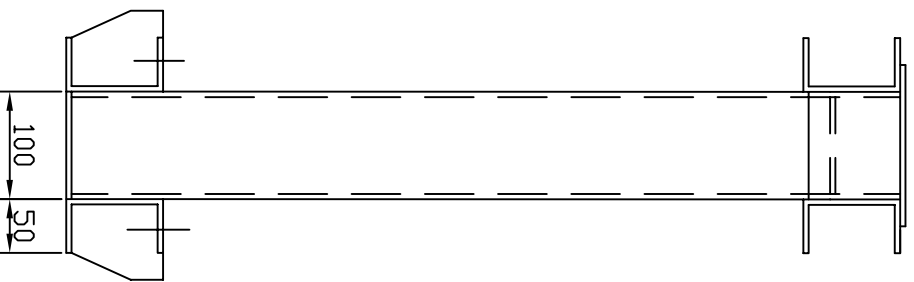
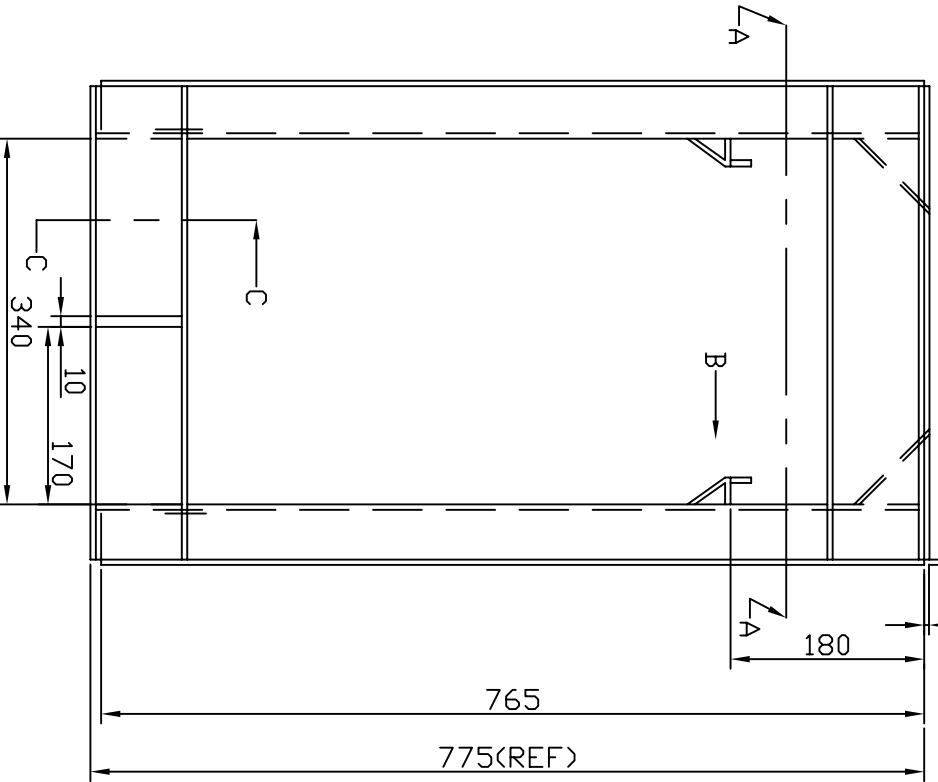
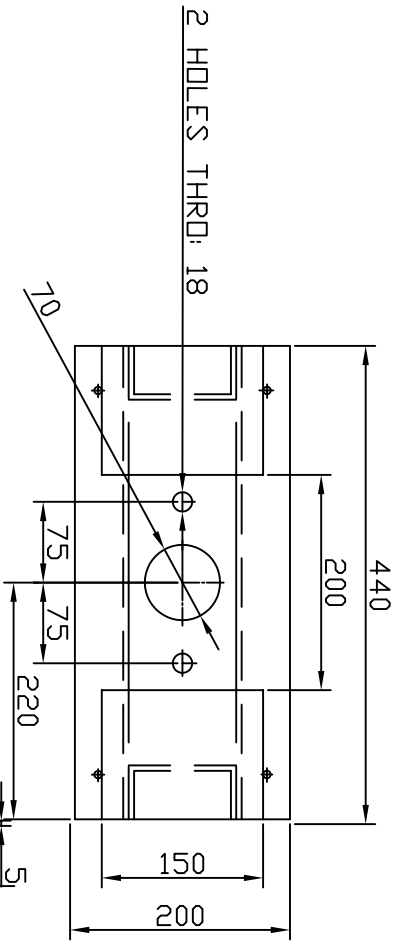


No.	Description	CHK	AP'D	DATE

Practical Action	TITLE MANUAL SCREW PRESS		DRAWN A.R	TRACE -	CHK -	NDT TO SCALE
	MATERIAL -		DRAWING No. MSP001			

DO NOT SCALE

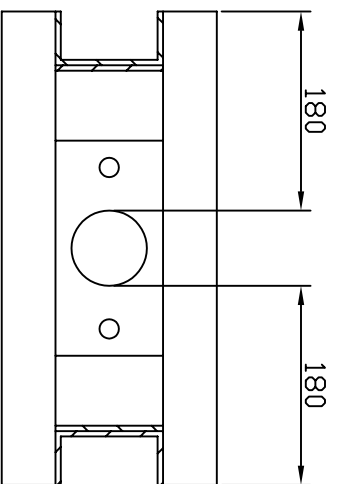
NOTE: FULLY WELDED CONSTRUCTION UNLESS OTHERWISE STATED



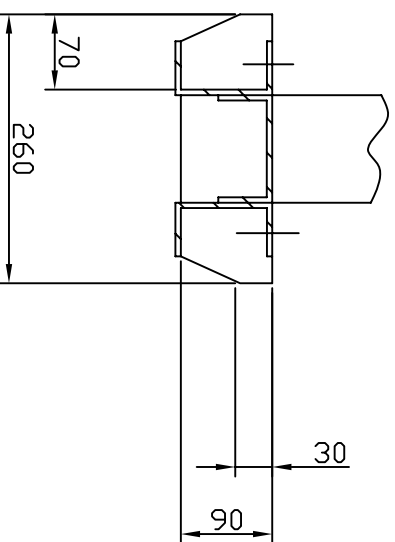
3 MAIN FRAME
(DETAILS)

REVISIONS		Description		CHK	AP'D	DATE	Practical Action		TITLE	DRAWN		TRACE	CHK	DRAWING No. MSP101a		DD NOT SCALE
No.									MANUAL SCREW PRESS	A,R	-	-	-			

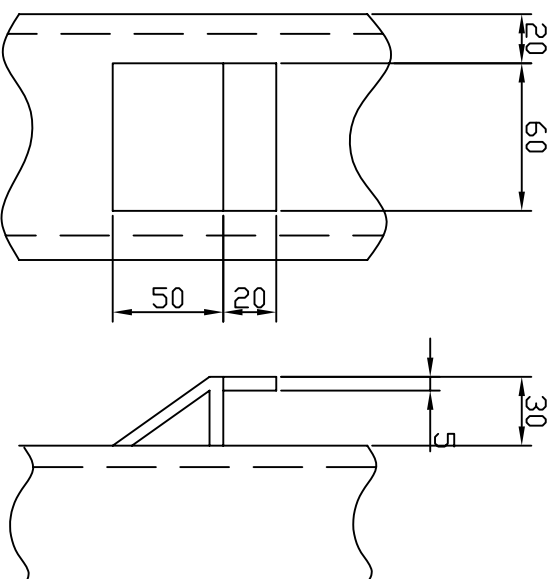
DD NOT SCALE



SECTION A-A



SECTION C-C
NOTE: FULLY WELDED CONSTRUCTION

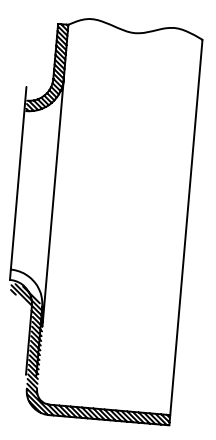
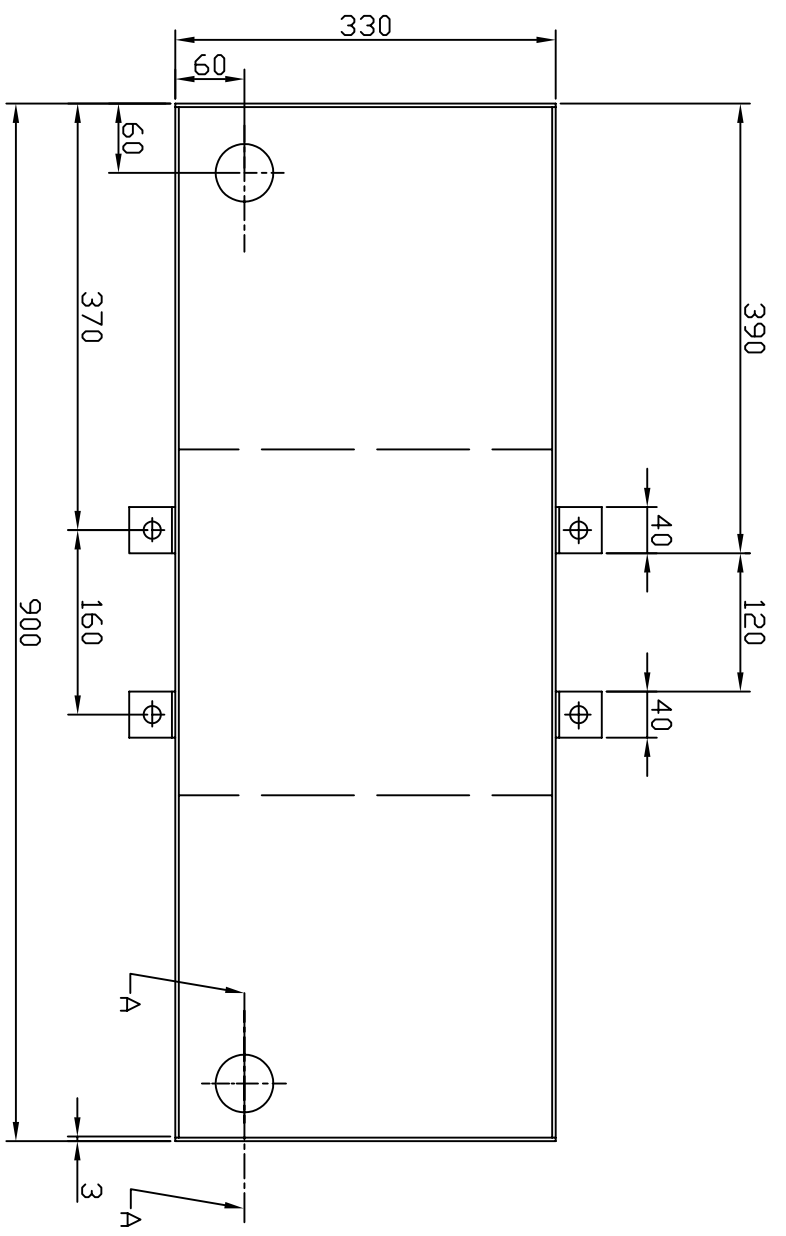


VIEW DN B
NOTE FULLY WELDED CONSTRUCTION

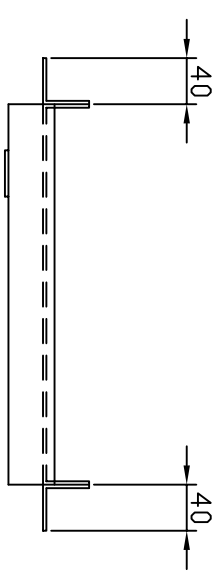
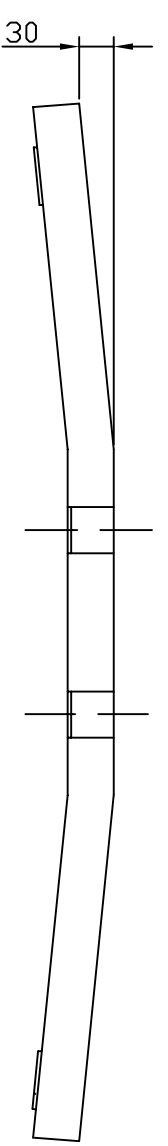
3 MAIN FRAME
(DETAILS)

No.		Description		CHK	AP'D	DATE	Practical Action	TITLE	DRAWN	TRACE	CHK	DD NOT SCALE
REVISIONS								MATERIAL	A,R	-	-	
								MANUAL SCREW				
								MILD STEEL				

DD NDT SCALE



SECTION A-A



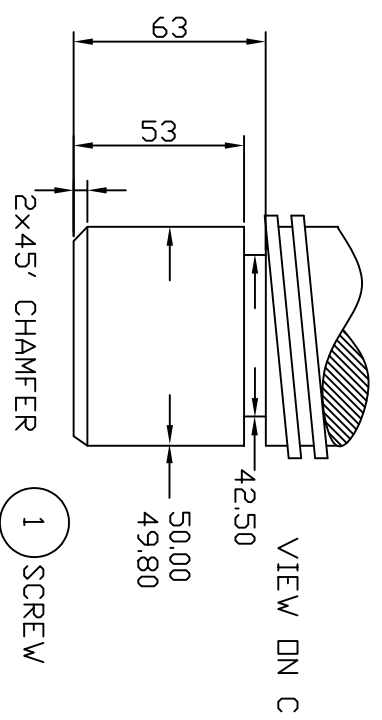
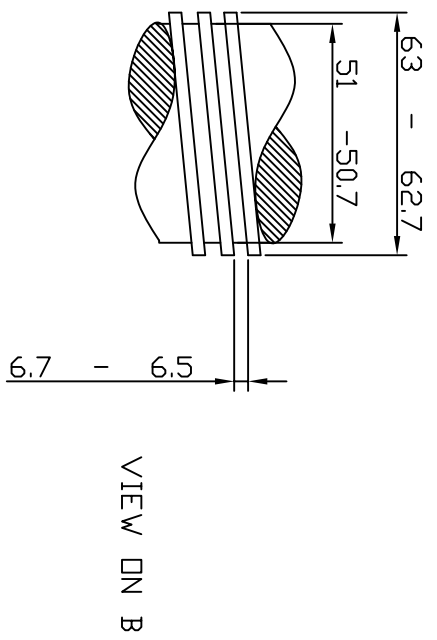
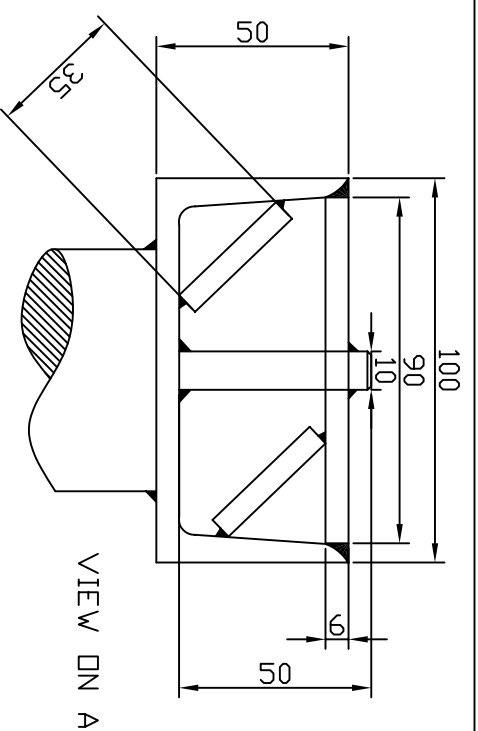
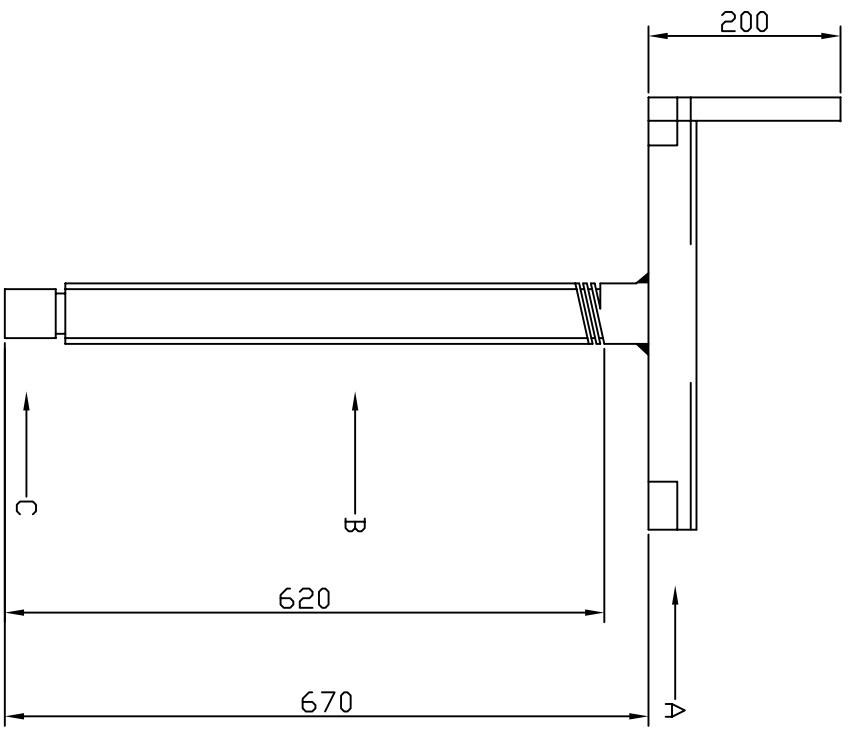
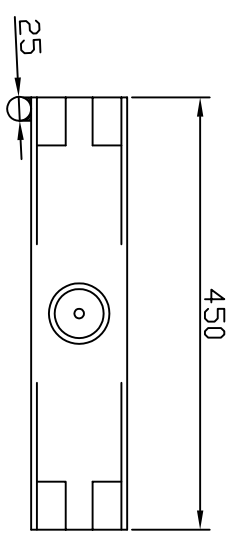
TOLERANCES
UNLESS OTHERWISE
STATED ± 0.25

4 DIL COLLECTION
TRAY

No.				
REVISIONS	Description	CHK	AP'D	DATE

Practical Action		TITLE	MANUAL SCREW PRESS	DRAWN A/R	TRACE	CHK	DRAWING No. MSP102	NDT TO SCALE
		MATERIAL	SHEET STEEL					

DD NDT SCALE



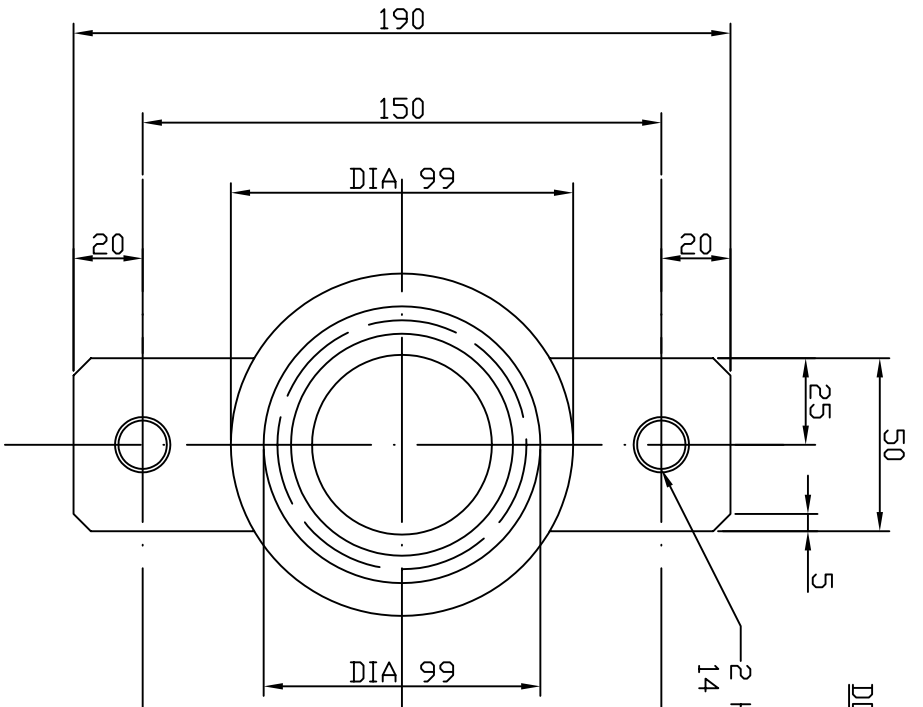
TOLERANCES
UNLESS OTHERWISE
STATED +/- 0.25

1 SCREW

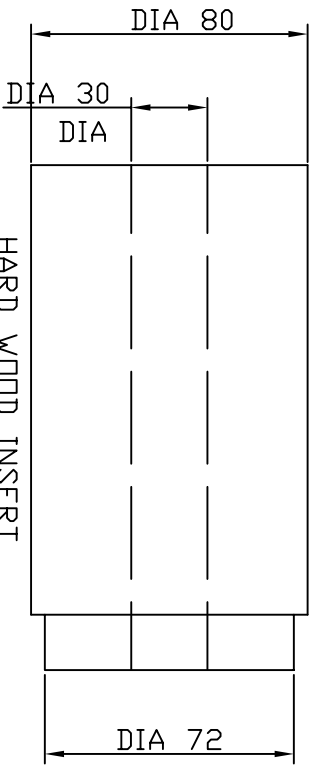
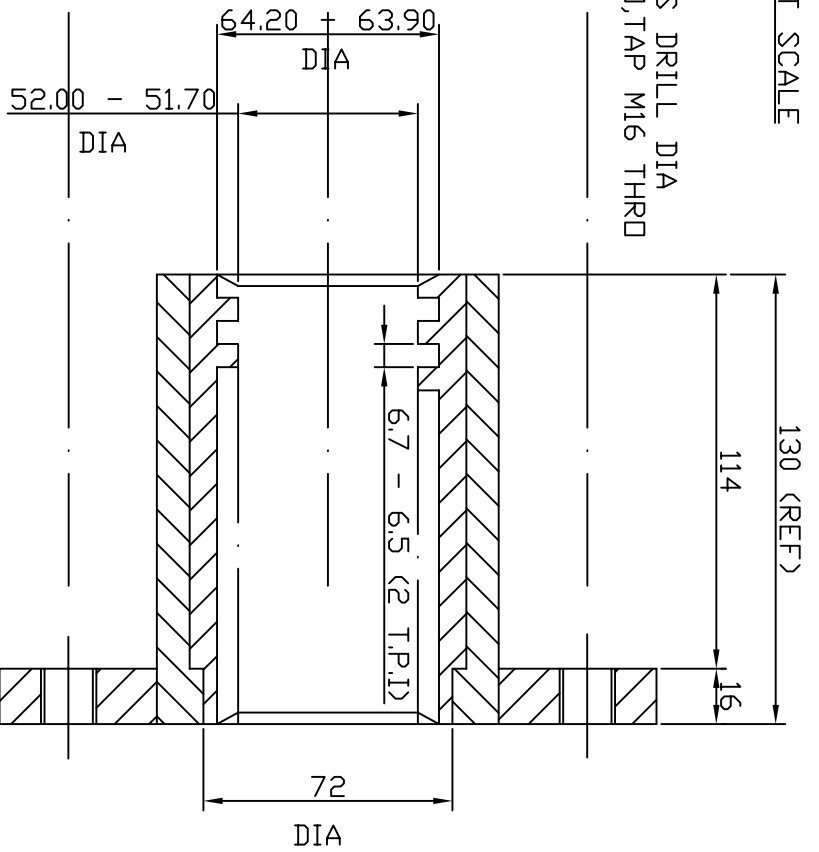
No.				
REVISIONS	Description	CHK	AP'D	DATE

Practical Action	TITLE MANUAL SCREW	DRAWN A.R	TRACE -	CHK -	NDT TO SCALE
	MATERIAL MILD STEEL	DRAWING No. MSP103			

D.D. NOT SCALE



2 HOLES DRILL DIA
14 THRD, TAP M16 THRD



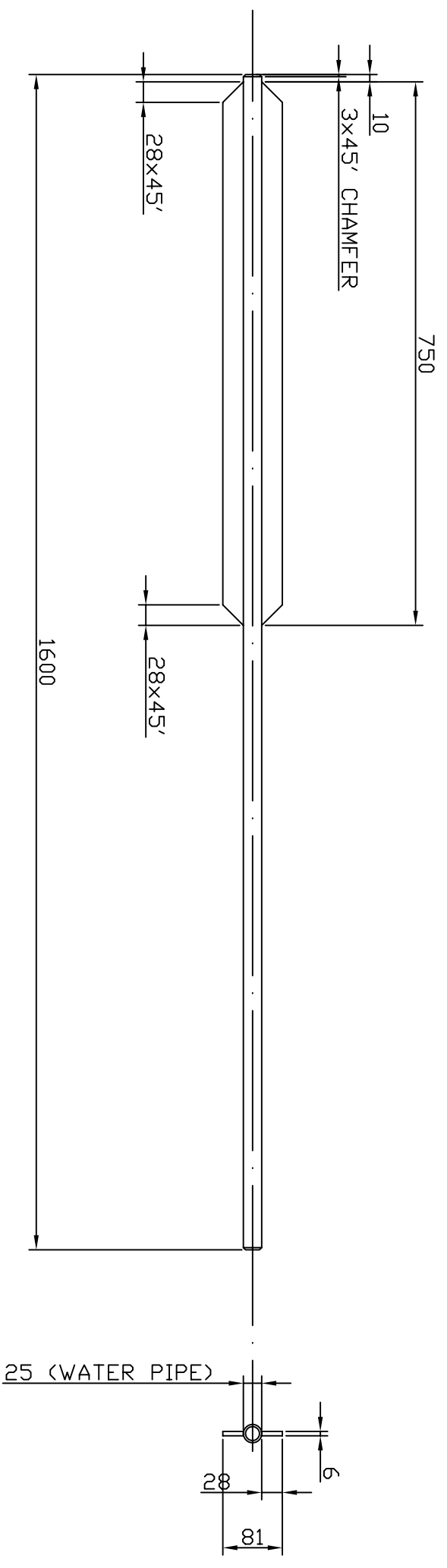
HARD WOOD INSERT

NOTE: MACHINE INSERT D.D AND DIA 30
BORE THEN ASSEMBLE INTO NUT
BEFORE MACHINING SCREW THREAD

7 SCREW NUT

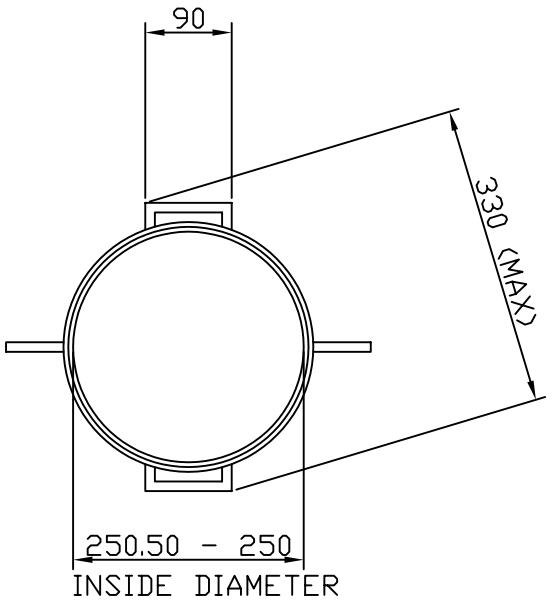
No.		Description		CHK	AP'D	DATE
REVISIONS						
TITLE		MANUAL SCREW		DRAWN	TRACE	CHK
MATERIAL		HARD WOOD MILD STEEL		A.R	-	-
DRAWING No.		MSP104		NOT TO SCALE		

DD NOT SCALE

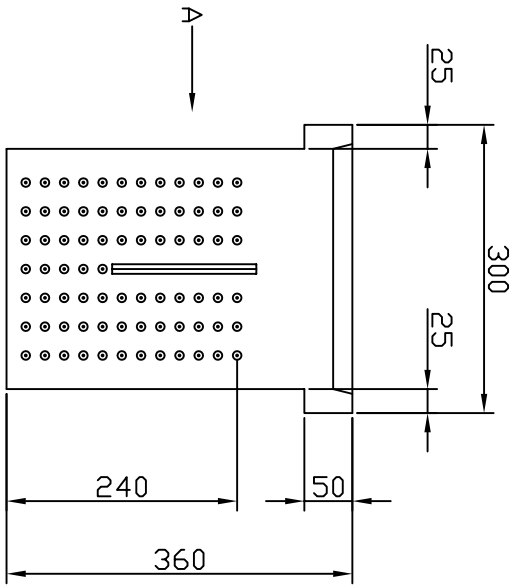
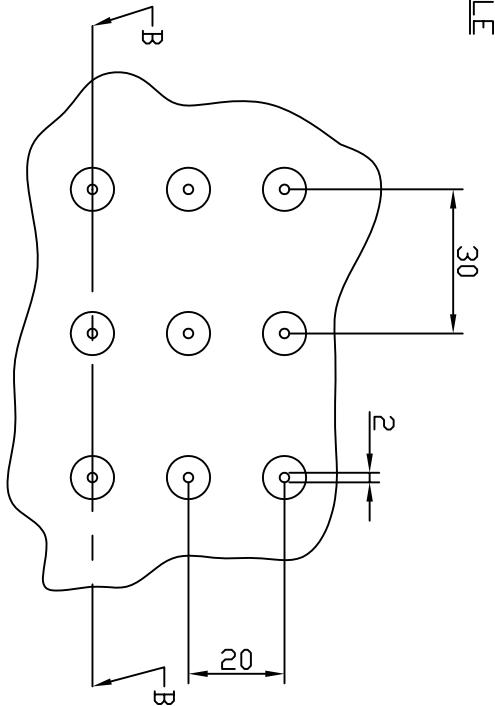


9 TORQUE ARM

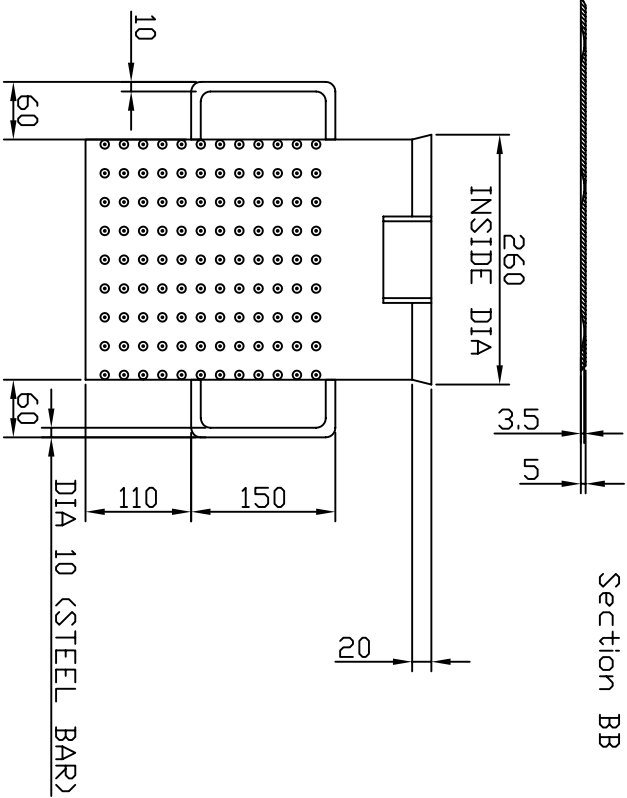
No. REVISIONS		CHK	AP'D	DATE	Practical Action	TITLE MANUAL SCREW PRESS	DRAWN A.R	TRACE -	CHK -	DRAWING No. MSP108	DD NOT SCALE
Description											



DO NOT SCALE



NOTE: FULLY WELDED CONSTRUCTION



8 CAGE

No.				
REVISIONS	Description	CHK	AP'D	DATE

Practical Action	TITLE	MATERIAL	DRAWN A/R	TRACE	CHK	DRAWING No.	NDT TO SCALE
	MANUAL SCREW PRESS	5mm STEEL PLATE				MSP109	